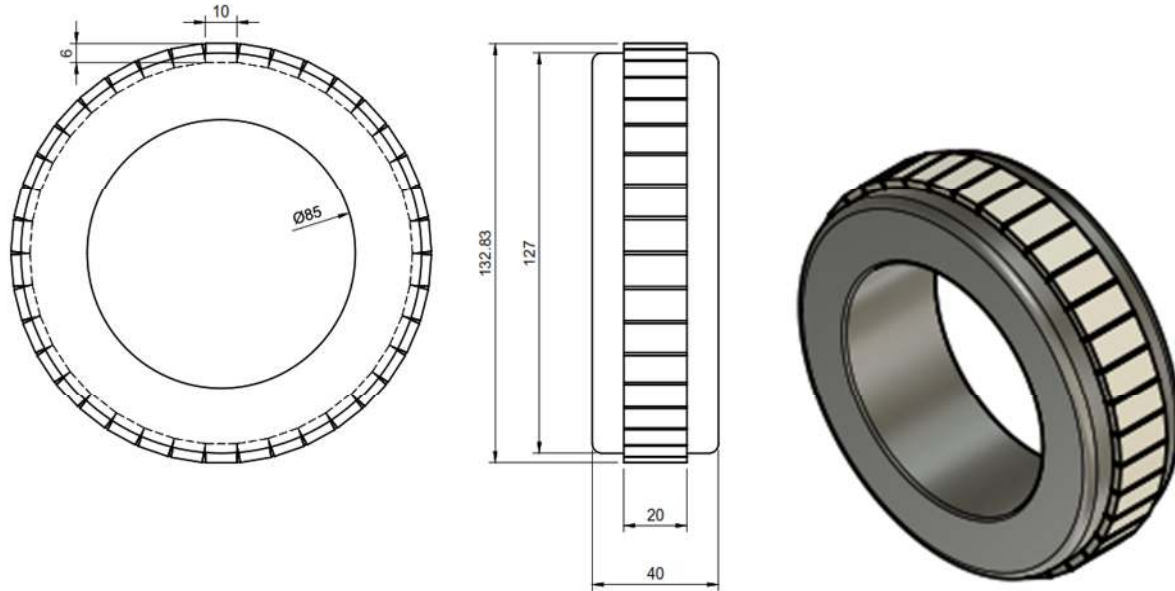


SUPPORTRING TYPE 8714 „CeraLast“



DESCRIPTION

The combination of ceramic and high-performance rubber results in a back-up ring for extreme applications. The wear-resistant special ceramic protects the back-up ring from abrasive media such as quartz, stone or metal. As a result, significantly longer service lives are achieved. In the abrasion test (DIN4649), the CeraLast back-up ring shows no measurable abrasion. The ceramic is inseparably bonded to the rubber by a special process. The rubber core continues to guarantee good elasticity and damping.

SPECIAL FEATURES

- No measurable abrasion
- Good elasticity and cushioning
- Longer service life
- Less maintenance downtime
- Lower maintenance costs

AVAILABLE ON DEMAND

with the diameter
63.5 mm
89 mm
108 mm
133 mm with item number CA2916

TYPICAL APPLICATIONS

- Iron ore mining
- Granite mining
- Glass recycling
- Mining
- Slag conveying
- And all high abrasive materials